



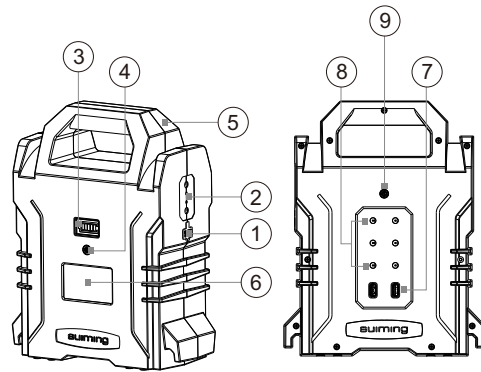
## Solar Home system

**SM-SS9001B**  
(second generation)

QUICKSTART GUIDE

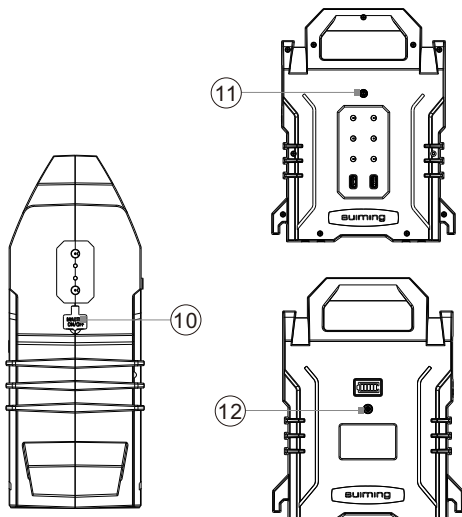
## General Information

- 1.Master ON/OFF Button 主开/关按钮
- 2.Charging Port 充电端口
- 3.Digital display Screen for power 数码显示设备电量
- 4.Light ON/OFF Button 照明灯开/关按钮
- 5.Handle 手握把手
- 6.LED light LED照明灯
- 7.USB ports with Charge Out Function 带充电功能的USB端口
- 8.LED Bulbs input ports LED灯泡输入端口
- 9.DC,USB ON/OFF Button DC端口和USB端口开/关按钮



## Get started

- 10.Switch the main power button from "OFF" to "ON"  
总电源开关，可切换成开和关的状态
- 11.Switch the DC and USB button from "OFF" to "ON"  
DC座和USB端口通电开关，可切换成开和关的状态
- 12.Switch the LED LIGHT button from "OFF" to "ON"  
LED照明灯开/关，长按3秒可切换成LED照明灯50%亮度状态



## Features

Work time:9~36 hours  
工作时间：9-36小时

light Output:300 [×6] lumens  
输出光通量：300流明/LED灯泡×6个LED灯泡

Color light:(soft white)6500K Temperature  
色温：6500K（正白）

12V/7.5Ah Rechargeable maintenance free battery  
12V/7.5AH可充电免维护电池

USB port with Charge Out Function  
带充电功能的USB端口

## Accessories

18V/10W Solar Panel  
18V/10W 高效晶片太阳能光伏板

10 in 1 USB Cable  
1拖10 USB 充电线

2 Light Bulbs With 4 lampshades  
2套LED灯泡，灯罩，5米灯头线

15V/1.5Ah DC Charger  
15V/1.5A 充电适配器

QUICKSTART GUIDE  
操作说明书

## Instructions

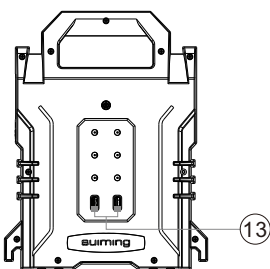
- 1. Charge the unit fully before first use**  
首次使用前充分充电
- 2. Make sure the electricity supply corresponds to the appliance before plugging it in**  
在供电使用之前要确保供电与应用相符
- 3. Always recharge the appliance when the light goes dim**  
当光线变暗时总是给电器充电
- 4. The efficiency of your appliance may decrease if the lamp is used or charged when temperatures below 32°F [0°C] or above 104°F [40°C]**  
如果环境温度低于32°F [0°C] 或高于104°F [40°C]  
电器使用效率会降低
- 5. keep your appliance away from water or rain for proper use**  
正确使用电器远离水或雨
- 6. keep your appliance away from water or rain for proper use**  
当产品打开开关后, 无负载或者对手机充电充满的状态下, 30分钟后进入休眠状态。后续如需重新使用, 必须将产品Master开关重新打开方可继续使用
- 7. keep your appliance away from water or rain for proper use**  
当产品DC端口过流或短路时, 会自动断开所有输出, 须移除过流或短路故障物品后, 重新打开开关后方可继续使用

## Important

- 1. To avoid electrical shock-do not open the appliance for repairing or cleaning unless you are qualified to do it**  
为了避免触电, 除非你有资格去做, 否则不要打开修理或清洁本产品
- 2. Use a small cotton swab with cleaning alcohol to clean the lamp. Never use strong or volatile chemicals to clean the appliance as this will damage plastic parts within the appliance**  
用小棉签粘上酒精清洁灯。不要使用强力或挥发性的化学物质清洗电器, 因为这会损坏电器内的塑料部件
- 3. Do not allow the main cord to come into contact with any hot surface or water**  
不允许产品接触任何热表面或水
- 4. keep the lamp out of children's reach. Prevent the cord from hanging with in their reach and from being pulled on.**  
把灯放在孩子够不着的地方, 防止绳索悬挂在伸手可及的地方
- 5. Never use the appliance if the main cord, plug or appliance itself is damaged**  
如果电源、插头或电器本身损坏, 请勿使用
- 6. Never use the appliance if the main cord, plug or appliance itself is damaged**  
禁止将本产品投入火中或者加热, 可能引起燃烧、爆炸
- 7. Never use the appliance if the main cord, plug or appliance itself is damaged**  
请严格按照使用说明要求及注意事项进行操作, 如违规操作而引起的不良后果, 本公司不承担任何责任

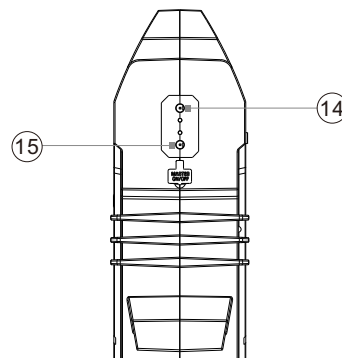
## Connect to your Phone

- 13. Connect your Phone to the USB port for charging**  
连接你的手机到USB端口充电



## Connect to Solar panel & Electricity

- 14. Connect your solar panel to the appliance facing the Sun to charge. Charge time: 10-12h**  
将太阳能光伏板连接到本产品太阳能光伏板充电接口  
充电时间10-12小时
- 15. Connect your appliance to electricity to charge .Charge time: 10-12h**  
将充电适配器连接到本产品充电接口  
充电时间10-12小时



LISHI INTERNATIONAL INVESTMENT GROUP LIMITED  
HONK KONG, CHINA  
www.suimingchina.com  
www.suiminglighting.com

### Correct Disposal of this product



This marking indicates that this product should not be disposed with other household wastes. To prevent possible harm to the environment or human health from uncontrolled waste disposal, recycle it responsibly to promote the sustainable reuse of material resources. To return your used device, please use the return and collection systems or contact the retailer where the product was purchased.